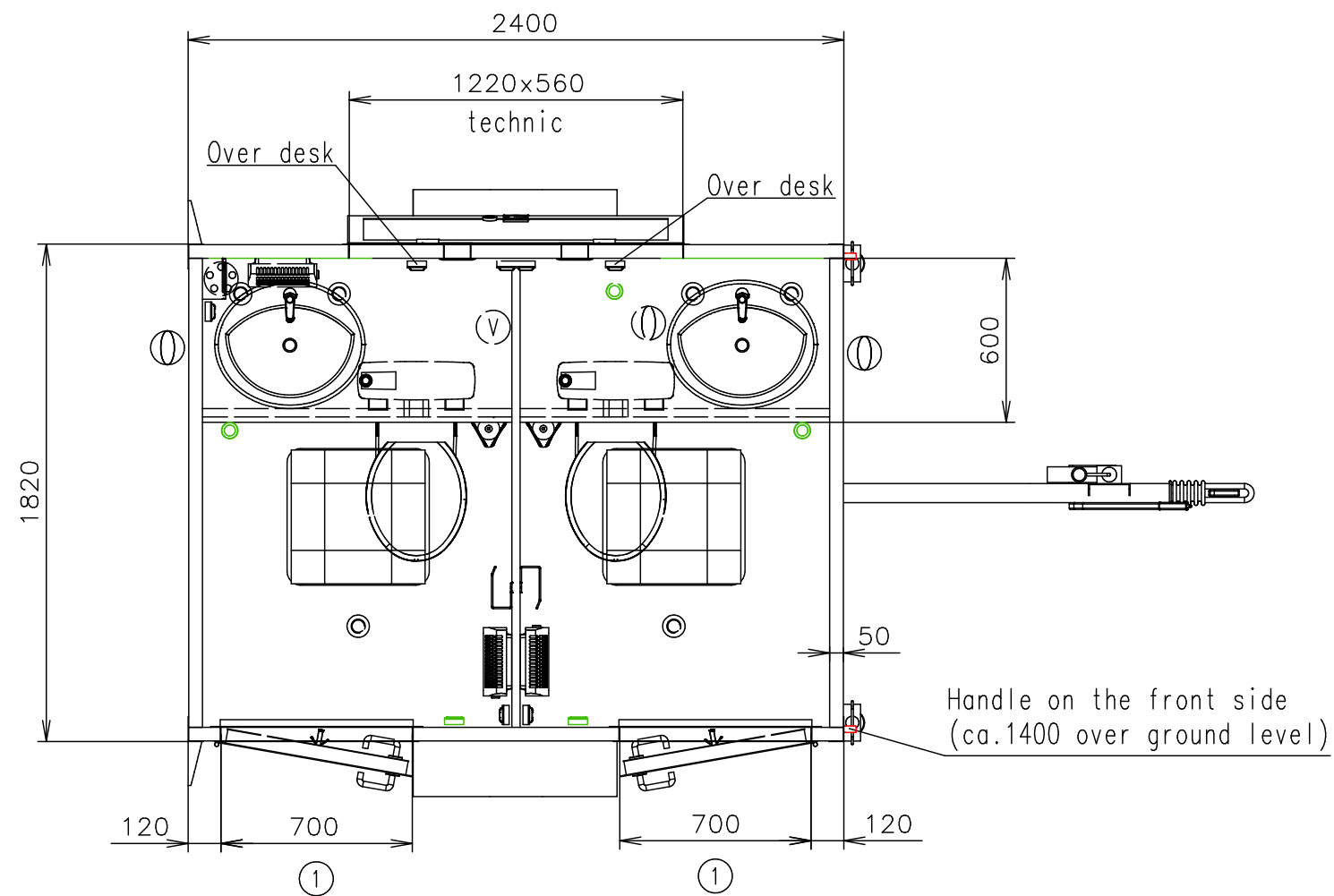


Connection hoses and cables	
Water hose:	✓
Waste water hose:	✗
Electric cable:	✓



Working desks in waterproof compact desk Egger (dark color)

Notes: RAL 7042 – front, rear, side, roof walls and interior walls (from both sides)

Interior height:	2100 mm	Total weight:	750 kg
Color:	RAL 7042 (gray)	Tare weight – estimate:	650 kg
Floor:	PVC black	Centre of wheels from rear side:	1200 mm
Date:	1.2.2018	Wheels:	165/70 R13

**EUROWAGON**

Drawing number:  
2882-24-1\_1/2 (Maas)

(Cabling and piping is not shown on the 3D views and drawings)

Connection hoses and cables	
Water hose:	✓
Waste water hose:	✗
Electric cable:	✓

Ⓟ Water connection 3/4" (through the floor)

Ⓢ Electric connection (through the floor) (230V-16A)

Ⓣ 2x Effluent connection ø110 (through wall)

Ⓛ Power point

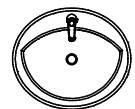
Ⓜ Light switch

Ⓨ Switch board (500 over floor)

Ⓩ Spot light

Ⓜ Heating (500W)

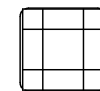
Ⓢ Floor drain hole



Wash-basin (built-in) Multi 1690 (550x470) + timing push water tap (only cold water)



Hanging toilet



Roof window Dometic (400x400)



Ventilation ø120



Brush toilet



Toilet paper holder



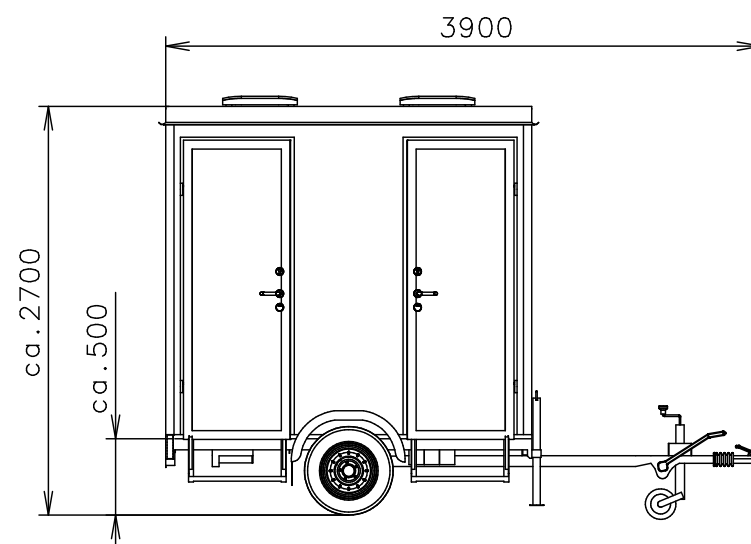
Clothes hanger



Mirror (600x600)



① Foldable stairs Serena (one foldable step)



(Cabling and piping is not shown on the 3D views and drawings)

Working desks in waterproof compact desk Egger (dark color)

Notes: RAL 7042 – front, rear, side, roof walls and interior walls (from both sides)

Interior height:	2100 mm	Total weight:	750 kg
Color:	RAL 7042 (gray)	Tare weight – estimate:	650 kg
Floor:	PVC black	Centre of wheels from rear side:	1200 mm
Date:	1.2.2018	Wheels:	165/70 R13

**EUROWAGON**

Drawing number:

2882-24-1\_2/2 (Maas)